

# Technical data sheet



## Product features

### Fry-top griddle plate 40x51 electric smooth without cabinet 400 V

<b>Model</b>	<b>SAP Code</b>	00110056
--------------	-----------------	----------



- Top type: Smooth
- Griddle dimensions [mm x mm]: 400 x 510
- Griddle thickness [mm]: 12.00
- Worktop material: Sandblasted steel
- Container for liquid fat: Yes
- Maximum device temperature [°C]: 300
- Surface finish: sandblasted surface without coating
- Removable rim: Yes

<b>SAP Code</b>	00110056	<b>Power electric [kW]</b>	4.500
<b>Net Width [mm]</b>	400	<b>Loading</b>	400 V / 3N - 50 Hz
<b>Net Depth [mm]</b>	700	<b>Griddle dimensions [mm x mm]</b>	400 x 510
<b>Net Height [mm]</b>	330	<b>Top type</b>	Smooth
<b>Net Weight [kg]</b>	36.00		

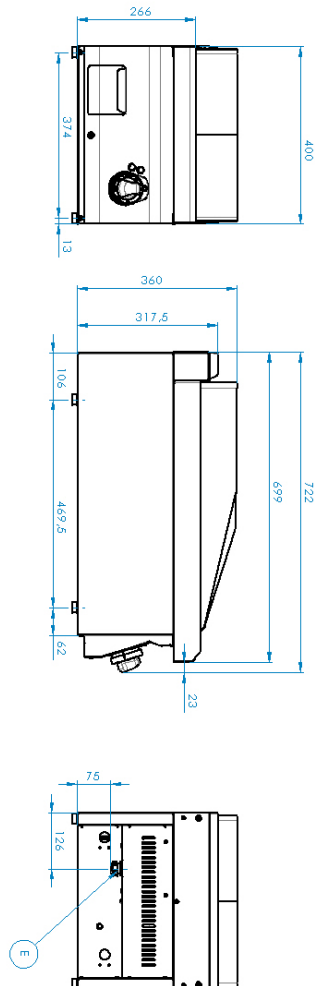
# Technical data sheet



Technical drawing

## Fry-top griddle plate 40x51 electric smooth without cabinet 400 V

Model	SAP Code	00110056
-------	----------	----------



### Fry-top griddle plate 40x51 electric smooth without cabinet 400 V

Model

SAP Code

00110056

1

#### All-stainless design

long life  
corrosion resistance of the top plate material

- savings on service interventions
- higher corrosion resistance

2

#### Degree of protection of the control elements IPX4

maintenance-free system  
resistance to splash water  
long life

- savings on service interventions
- easy cleaning and maintenance of equipment

3

#### Outlet for waste liquids

ensures that oil drips into the socket

- easy maintenance
- easy cleaning

4

#### High detachable hem

better hygienic conditions  
preventing grease from splashing onto ancillary equipment

- easy maintenance
- easy cleaning

5

#### Smooth steel plate

good heat transfer and the surface does not get scratched  
enables preparation on smooth or grooved plates

- time-saving for food preparation
- no reheating and long cooking times

6

#### Cooking unit for use on a table or on a base

variable use  
the possibility of placement in smaller spaces

- easy handling
- cost savings on substructure

# Technical data sheet



## Technical parameters

### Fry-top griddle plate 40x51 electric smooth without cabinet 400 V

<b>Model</b>	<b>SAP Code</b>	00110056
--------------	-----------------	----------

**1. SAP Code:**

00110056

**2. Net Width [mm]:**

400

**3. Net Depth [mm]:**

700

**4. Net Height [mm]:**

330

**5. Net Weight [kg]:**

36.00

**6. Gross Width [mm]:**

440

**7. Gross depth [mm]:**

800

**8. Gross Height [mm]:**

390

**9. Gross Weight [kg]:**

42.00

**10. Device type:**

Electric unit

**11. Construction type of device:**

Table top

**12. Power electric [kW]:**

4.500

**13. Loading:**

400 V / 3N - 50 Hz

**14. Protection of controls:**

IPX4

**15. Material:**

AISI 304 top plate, AISI 430 cladding

**16. Indicators:**

operation and warm-up

**17. Worktop material:**

Sandblasted steel

**18. Worktop Thickness [mm]:**

1.20

**19. Surface finish:**

sandblasted surface without coating

**20. Maximum device temperature [°C]:**

300

**21. Minimum device temperature [°C]:**

50

**22. Service accessibility:**

Trough the frontal panel

**23. Safety thermostat:**

Yes

**24. Adjustable feet:**

Yes

**25. Griddle dimensions [mm x mm]:**

400 x 510

**26. Griddle thickness [mm]:**

12.00

**27. Container for liquid fat:**

Yes

**28. Removable rim:**

Yes

# Technical data sheet



Technical parameters

**Fry-top griddle plate 40x51 electric smooth without cabinet 400 V**

<b>Model</b>	<b>SAP Code</b>	00110056
--------------	-----------------	----------

**29. Top type:**

Smooth

**30. Cross-section of conductors CU [mm<sup>2</sup>]:**

1

– Výkon (kW): 3,7-5 (230 V); 6,4-8,7 (400 V)